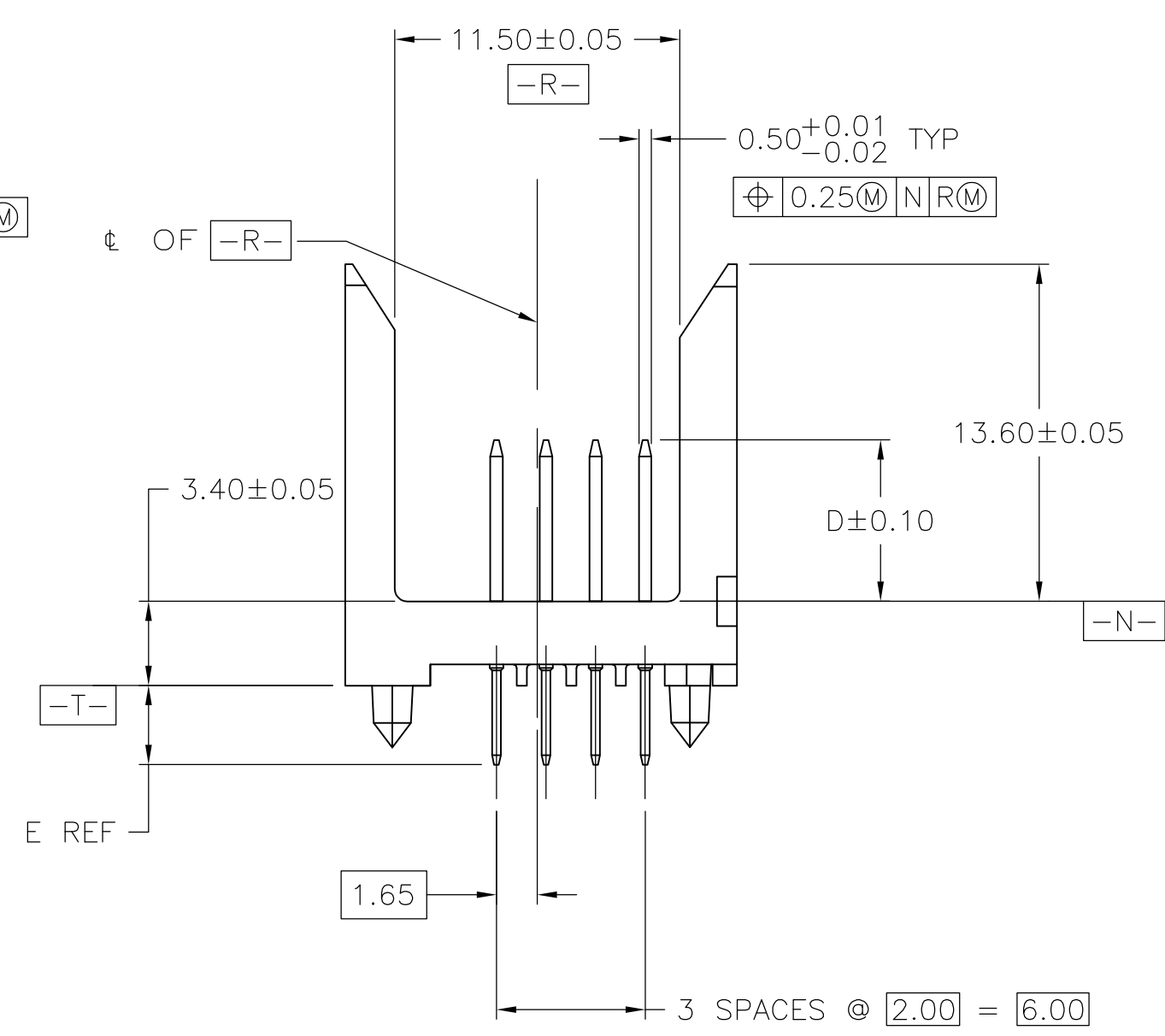
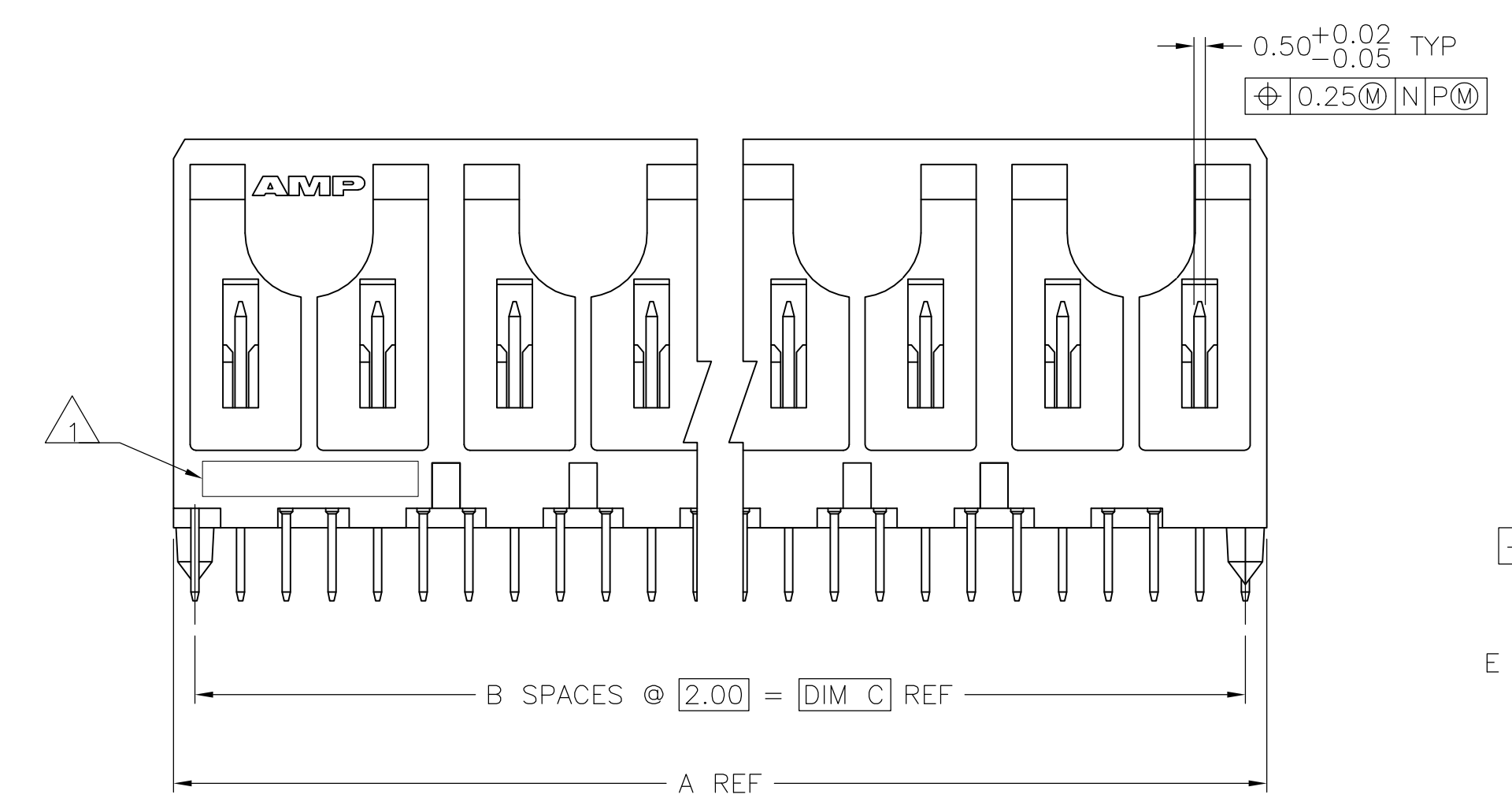
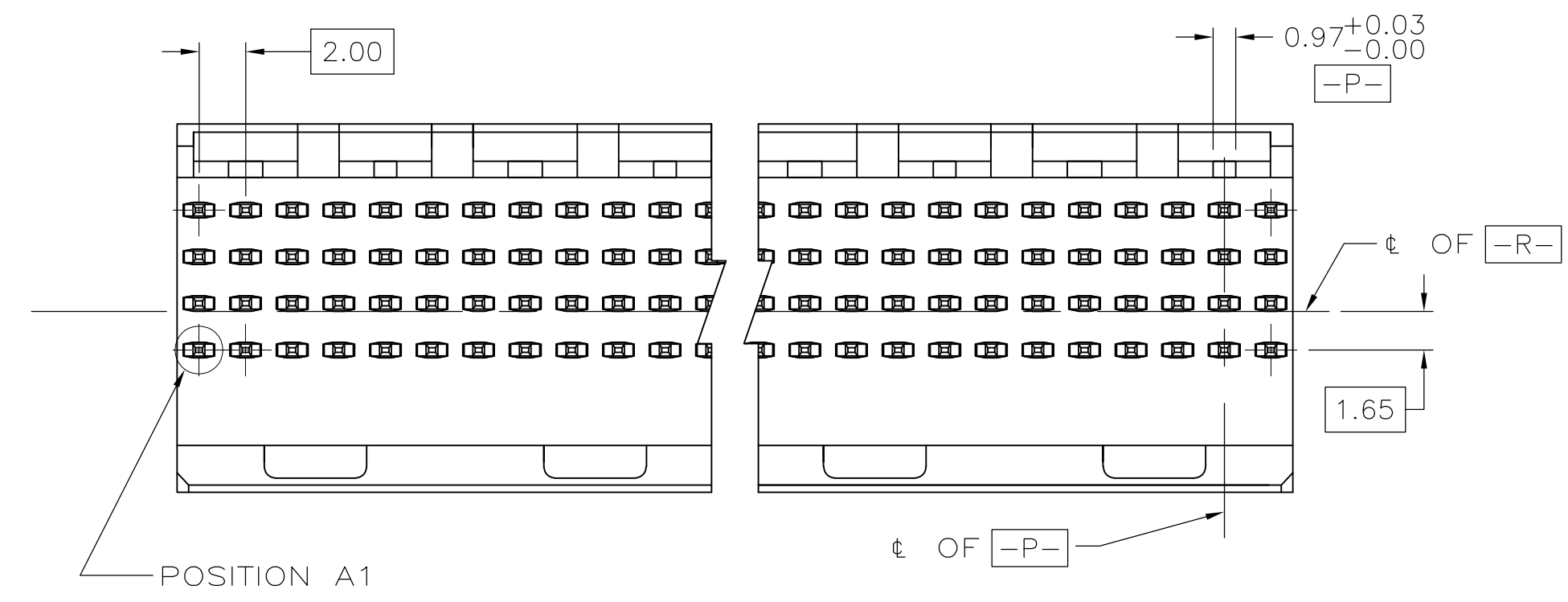
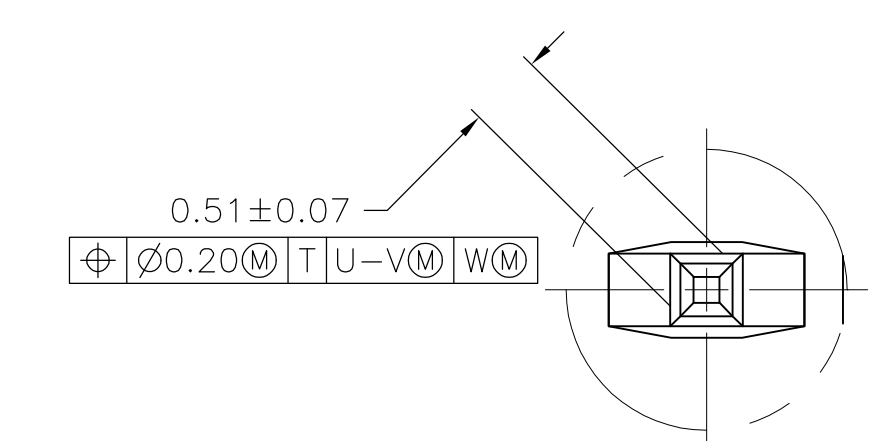


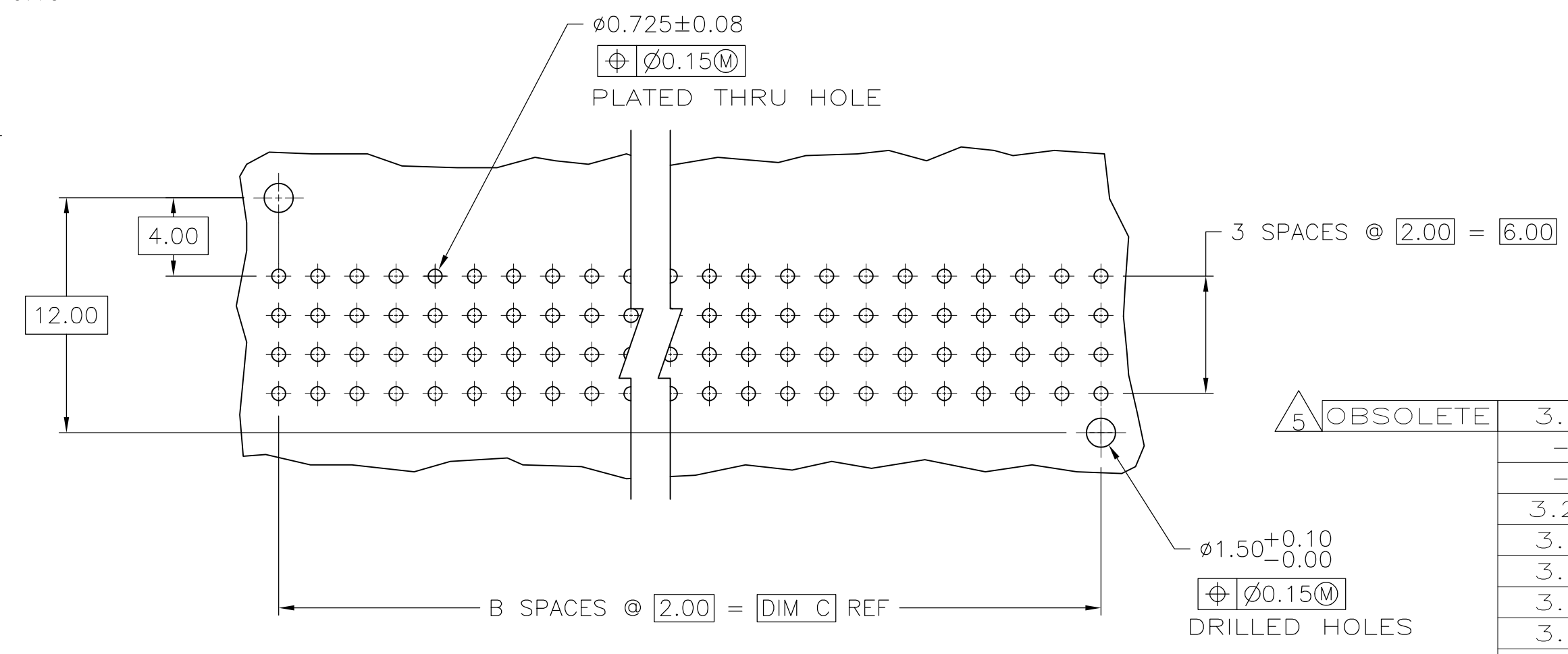
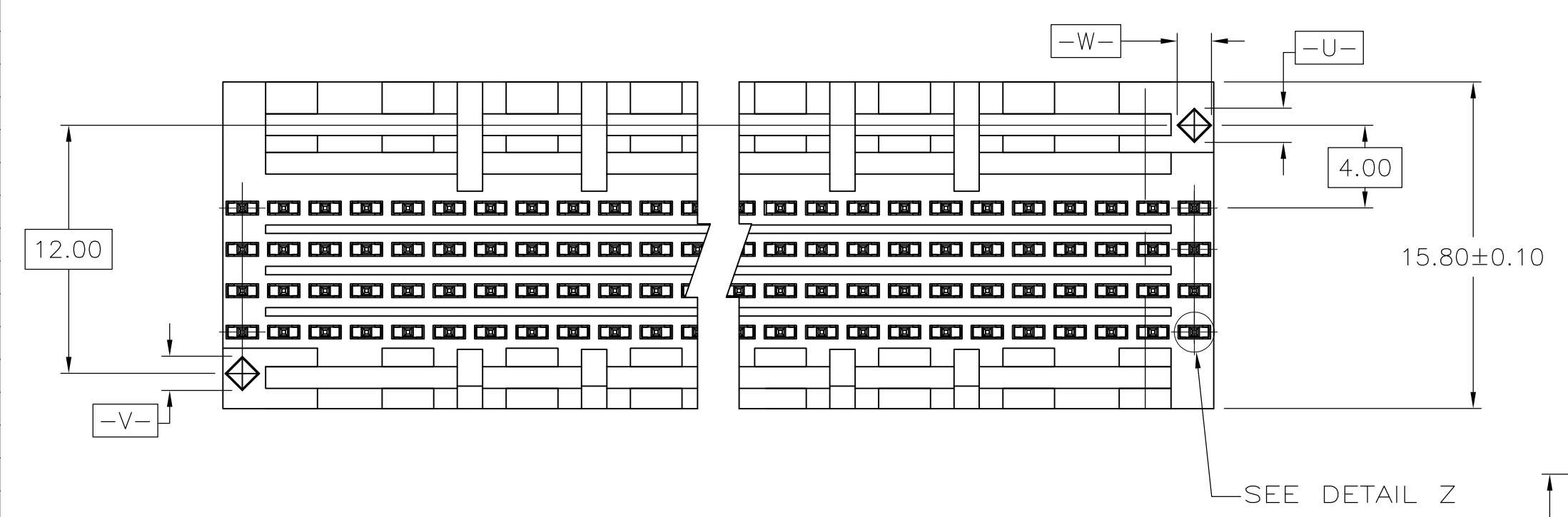
LOC	DIST	REVISIONS			
P	LTR	DESCRIPTION	DATE	OWN	APPD
01		REVISED PER ECO-05-013208	14FEB06	JDP	RW
02		REVISED PER ECO-10-000444	19JAN10	KK	HMR



- 1 HOUSING MATERIAL: LIQUID CRYSTAL POLYMER PER ASTM D5138 LCP000 G30A 32250.
- 2 CONTACT MATERIAL: PHOSPHOR BRONZE.
- 3 CONTACT FINISH:  
 UNDERPLATE (ENTIRE CONTACT):  
 0.00127 MIN NICKEL PER SAE-AMS-QQ-N-290.  
 ON MATING SURFACES:  
 CONFORMS TO ALL TESTING SPECIFIED FOR TELCORDIA UNCONTROLLED ENVIRONMENT.  
 ON LEADS  
 0.00381 MIN TIN PER ASTM B 545 OVER UNDERPLATE.  
 LUBRICATION (MIN MATING SURFACES):  
 SURFACE CONDITIONER AFTER PLATING.
- 4 PART MARKING, LOCATED APPROXIMATELY AS SHOWN.
- 5 OBSOLETE PARTS: OBSOLETE CIS STREAMLINING PER D.RENAUD/D.SINISI



DETAIL Z  
SCALE 20:1



RECOMMENDED CIRCUIT PATTERN  
PER IPC-D300 TYPE II, CLASS C  
(COMPONENT SIDE)

E	D	C	B	A	FINISH	NO OF POSN	PART NUMBER
-	-	-	-	-	-	-	-
3.2	6.5	58	29	59.88	3	120	5536536-6
3.2	6.5	94	47	95.88	3	192	5536536-4
3.2	6.5	46	23	47.88	3	96	5536536-3
3.2	6.5	22	11	23.88	3	48	5536536-2
3.2	6.5	10	5	11.88	3	24	5536536-1

THIS DRAWING IS A CONTROLLED DOCUMENT.

DIMENSIONS:	mm	0 PLC ±	1 PLC ±	2 PLC ± 0.13	3 PLC ±	4 PLC ±	ANGLES ±
TOLERANCES UNLESS OTHERWISE SPECIFIED:							

MATERIAL: 1 2 FINISH: 3

APPROVED: R. WERTZ

DATE: 07SEP04

NAME: Z-PACK 2mm FB, SIGNAL MODULE, PIN ASSEMBLY

PRODUCT SPEC: 2mm, 4 ROW, TABLED MATING & LEAD LENGTHS.

SIZE: A1

CAGE CODE: 00779

DRAWING NO: 5536536

RESTRICTED TO: -

SCALE: 4:1

SHEET: 1 OF 1

REV: 02